



228 SERIES

STANDARD BYPASS TRACK & HARDWARE INSTALLATION INSTRUCTIONS

USE WITH 1 3/8" DOORS WEIGHING UP TO 50 LBS. EACH.

*The 228 series hardware that includes the v-wheel 228 hanger is used with our aluminum 235 AND 245 track.

*The 228 series hardware that includes the premium grade concave wheel 230 hanger is used with our aluminum 221 and 222 split-header track.

1. The finished opening width should allow the door panels to overlap by 1". The finished opening height should be 1 7/8" larger than the door panel for proper spacing.
2. Install the track using the #8 x 1 1/4" screws provided. The spacing of the track from the front of the opening varies depending on your application. Recess the track according to your preference.
3. If you are using door pulls, your next step is to bore the holes for them. Bore the hole according to the diameter of the pull that was provided in your hardware set (3/4", 1 3/4", or 2 1/8"). The standard height of the pull is 36" from the floor. The side of the door that you would like the pull be placed on is your preference.
4. Attach the 228 or 230 hanger to the inside top edges of each door. Looking at the back side of the door, place the hanger so that it sits on the top of the door with the roller facing away from you. Attach the hanger at approximately 2" from the edges using 1-#8 x 3/4" screw into the small round hole on the metal bracket of the hanger. Next, place another #8 x 3/4" screw in the center of the long slot making sure that you do not tighten it all of the way.
5. Now you are ready to hang the doors. Take your first door and hang it on the inside track rail by lifting the door up, leaning the top away from you at an approximately 15 degree angle, and setting the wheels in the track. Once you have the door on the track, swing it inward and into place. Repeat these steps for the front door placing it on the front track.
6. After hanging the doors, they can now be adjusted. Standing on the inside of closet, adjust the doors to the jamb. Once you have the door adjusted tighten the screws in the hangers and install 1 more #8 x 3/4" screw in the empty slot in the #228/230 hanger.
7. Place the doors in the closed position and place the #209 or #210 floor guide on the floor in the center of the opening. If you are using the 209 floor guide it is adjusted by pulling the legs apart to the desired width that allows the door to slide back and forth freely. Now, with the doors closed, make sure that you have the front and rear doors leading edge inside of the floor guide legs at the same time to eliminate the doors from swinging front to rear. Now, you can mount the floor guide to the floor using the #6 x 3/4" screws supplied.



DLP-PRESSRITE, INC.

2125 S.W. 60TH WAY • HOLLYWOOD, FL 33023 • 954-963-7373 • 800-243-7373 • FAX: 954-963-7377

228 SERIES



228 HANGER V-WHEEL
ZINC-PLATED



213 BRASS PLATED
FINGER PULL 3/4"



213N NICKLE PLATED
FINGER PULL 3/4"



216 BEIGE PLASTIC
PULL 1 3/4"



218 SATIN NICKEL
PULL - 2 1/8"



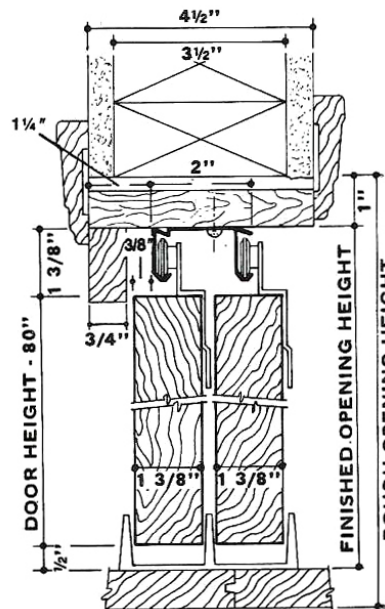
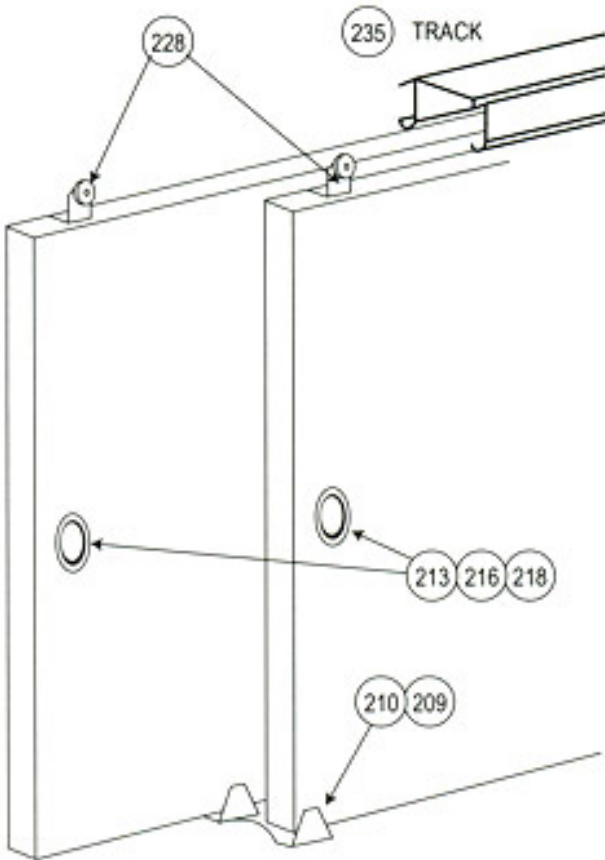
209 ADJUSTABLE FLOOR GUIDE



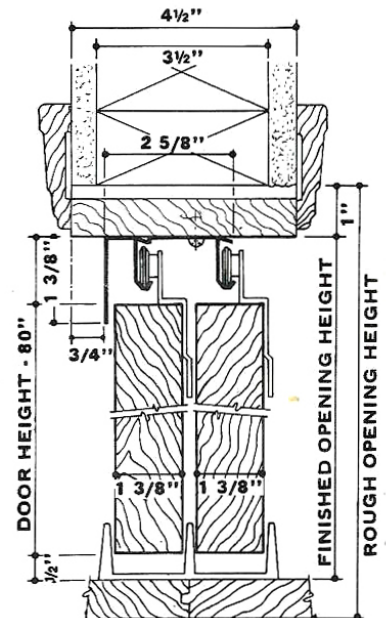
210 FLOOR GUIDE FOR 1 3/8" DOORS



230 CONCAVE WHEEL
HANGER (WITH
BRONZE BUSHING)



SERIES 235 TRACK
BI-PASS DOOR DETAIL
UNDER HEADER INSTALLATION



SERIES 245 FASCIA TRACK
BI-PASS DOOR DETAIL
UNDER HEADER INSTALLATION