



230 SERIES

HD PREMIUM GRADE BYPASS TRACK & HARDWARE INSTALLATION INSTRUCTIONS

USE WITH 1" TO 1 3/4" DOORS WEIGHING UP TO 150 LBS.

This hardware set features our adjustable 2-wheel ball-bearing hanger for doors up to 100lbs. or our 4-wheel ball-bearing hanger for doors up to 150 lbs. An additional 802 can be added to the center of the door to increase the capacity to 200 lbs. This hardware is used in conjunction with our aluminum 2138, 2134, 2300 Track.

1. Make sure that your doors are 2" shorter than the opening height, and the door opening width is 1" shorter than the doors combined. (example: 2-24" doors = 47" door opening).
2. Separate the 1224 door plate from the 122 or 802 by applying upward pressure on the door plate latch that is locking around the large adjusting screw. While applying the pressure upward towards the ball-bearing wheel, rotate the latch away from the screw unlocking it and swinging it away from the adjusting screw separating the 2 parts from each other.
3. Place the #122 or the #802 hangers into the track without the #1224 door plate. (2 hangers are required for each door panel that you are installing).
4. Mount the track to the header using the #8 x 1 1/4" screws supplied, making sure that the track is recessed into the opening approximately 1".
5. Mount the 1224 door plates to the top of each door using the 1 1/4" screws supplied. You will need 2 plates installed per door, placing them approximately 1 1/4" from the edges on each side of the door. When installing the plate, make sure that you place the wider side of the plate towards the edges or outer sides of the door. After mounting the plates, make sure that the latches on the #1224 door plate are in the opened position.
6. If you are using door pulls, your next step is to bore the holes for them. Bore the hole according to the diameter of the pull that was provided in your hardware set (3/4", 1 3/4", or 2 1/8"). The standard height of the pull is 36" from the floor. The side of the door that you would like the pull be placed on your preference.
7. Install the first door by attaching the #1224 door plate to the #122 or the #802 hangers starting in the rear channel of the track. This is accomplished by lifting the door upwards and aligning the adjusting screw that is in the center of the #122 or #802 hangers with the slot in the door plate. Once you have aligned the screw and the plate, the screw is slid horizontally towards the center of the door snapping it into place. Now you can pivot the latch on the #1224 into the locked position. Repeat for the second hanger.
8. Repeat Step 6 for the second door that is placed in the front channel of the track
9. Adjust the doors so that they are plumb with the jamb by turning the adjustment screw with the 704 wrench.
10. Place the doors in the closed position and place the #209 or #210 floor guide on the floor in the center of the opening. If you are using the 209 floor guide it is adjusted by pulling the legs apart to the desired width that allows the door to slide back and forth freely. Now, with the doors closed, make sure that you have the front and rear doors leading edge inside of the floor guide legs at the same time to eliminate the doors from swinging front to rear. Now, you can mount the floor guide to the floor using the #6 x 3/4" screw supplied.



DLP-PRESSRITE, INC.

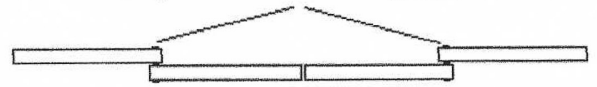
2125 S.W. 60TH WAY • HOLLYWOOD, FL 33023 • 954-963-7373 • 800-243-7373 • FAX: 954-963-7377

230 SERIES

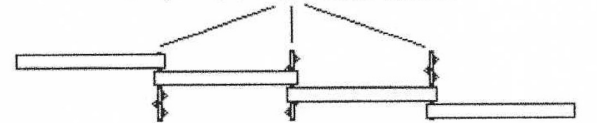
INSTALLING MULTIPLE DOORS

When installing multiple doors (more than 2) you have a couple of options. You are able to install 1 door on every track channel or you can install 2 doors on each track channel. Our 800 track has a single channel and our 2138, 2134 and 2300 track has a double channel. When you add an additional track put a 7/8" spacer between the existing track and the track that you are adding. The steps for the hardware installation are the same as above with the exception of the floor guides. The floor guides must be installed according to the diagram below. (Please note that when you are installing more than 2 track channels it is necessary to install the floor guides next to each other creating a bottom channel for each door as shown.)

Example- 2 track channels
Requires 2- #210 floor guides



Example- 4 track channels
Requires 6- #210 floor guides



1224 DOOR PLATE



802 4-WHEEL HANGER WITH DOOR PLATE



122 2-WHEEL HANGER WITH DOOR PLATE



209 ADJUSTABLE FLOOR GUIDE



218 SATIN NICKEL PULL - 2 1/8"



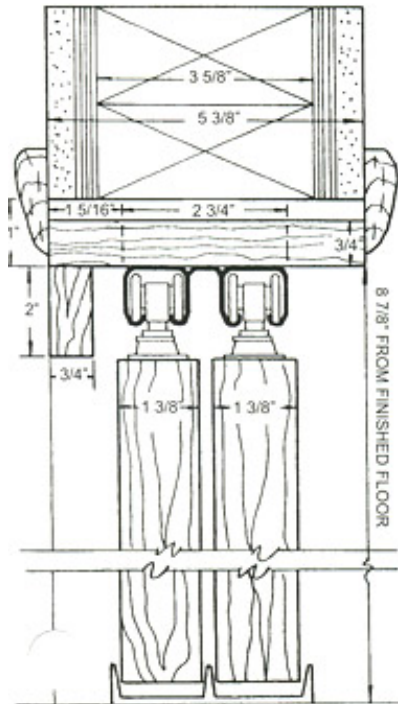
704 ALIGNER / WRENCH



210 FLOOR GUIDE FOR 1 3/8" DOORS



216 BEIGE PLASTIC PULL 1 3/4"



2300 Track/Under Header



213N NICKLE PLATED FINGER PULL 3/4" (AVAILABLE IN BRASS PLATED)



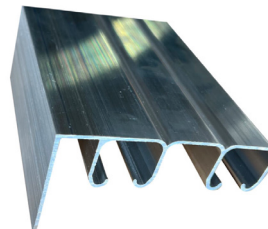
800 ALUMINUM UNDER-HEADER TRACK



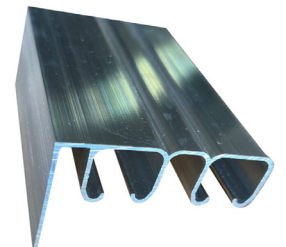
2300 ALUMINUM TRACK

Finished Door Size*	2'0"	2'6"	3'0"
Overall Width	48 1/2"	60 1/2"	72 1/2"
Length of Track	47"	59"	71"
Width of Rough Opening	49"	61"	73"
Height of rough opening from finished floor	82 7/8"	82 7/8"	82 7/8"

* These measurements are for a 6'8" door, 1/2" floor clearance and 1" lap of doors



2134 ALUMINUM TRACK (FASCIA TRACK FOR 1 3/4" DOOR PANELS)



2138 ALUMINUM TRACK (FASCIA TRACK FOR 1 3/8" DOOR PANELS)